



JLPVT40W-MV-ET

Vapor Tight LED Luminaire

STANDARD



The JLPVT is a surface-mounted LED luminaire, which is designed to prevent the intrusion of moisture and dust. The JLPVT provides general ambient lighting in commercial and industrial settings, and is the perfect choice for both new construction and retrofits. This high-efficacy luminaire provides long-life and uniform illumination, as well as standard 0-10vdc dimming capability.

FEATURES

- Available in 3500k (warm/neutral white), 4000k (neutral white) and 5000k (cool white) color temperatures.*
- Long-life LEDs provide 122,000 hours of operation with at least 70% of initial lumen output (L₇₀).**
- Choose from 4,793 luminaire lumens (120 LPW) at 3500k; 5,200 luminaire lumens (130 LPW) at 4000k; and 5,240 luminaire lumens (131 LPW) at 5000k.*
- Uniform illumination with no visible LED pixelation.
- Universal 120-277 AC voltage (50-60Hz) is standard.
- 0-10vdc dimming capability is standard.
- Power factor > 0.95.
- Total harmonic distortion < 10%.
- Color rendering index > 80.
- ABS (acrylonitrile butadiene styrene) housing and polycarbonate lens. Stainless steel mounting bracket and lens clips are standard.
- Easy installation in new construction or retrofit.

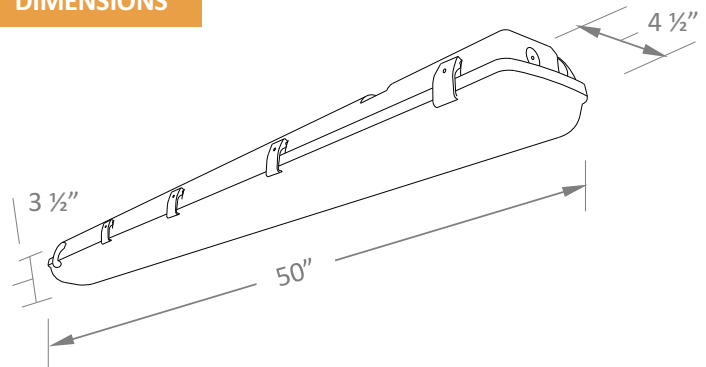
* Contact factory for other color temperatures and lumen packages.
 **L₇₀ hours are IES TM-21-11 calculated hours.



WARRANTY & LISTINGS

- cULus approved for wet locations (-20° C to 50° C / -4° F to 122° F).
- IP65 rated for ingress protection.
- DLC premium approved.
- Complies with FCC Part 15, Class A.
- Complies with IEEE C.62.41-1991, Class A input transient surge protection (2.5kV).
- Complies with IEC 61000-4-2 level 2 (4kV) electrostatic discharge (ESD).
- Complies with RoHS (Restriction on Hazardous Substances) requirements.
- 5-year warranty of all electronics and housing.

DIMENSIONS



ORDERING INFORMATION

Model	Color Temperature	Luminaire Lumens	Luminaire Watts	Lumens / Watt
JLPVT-40-35KMV- ET	3500k	4,793	40	120
JLPVT-40-4KMV- ET	4000k	5,200	40	130
JLPVT-40-5KMV- ET	5000k	5,240	40	131

JLPVT Series

Vapor Tight Luminaire

ELECTRICAL

Model	Color Temp.	CRI ¹	Luminaire Lumens	Luminaire Watts	Lumens Per Watt	Input Voltage ²	Input Current (A)			Power Factor	THD ³	L ₇₀ Hours ⁴
							120V	240V	277V			
JLPVT-40-35KMV- ET	3500k	> 80	4,793	40	120	120-277	0.33	0.17	0.14	> 90%	< 20%	122,000
JLPVT-40-4KMV- ET	4000k	> 80	5,200	40	130	120-277	0.33	0.17	0.14	> 90%	< 20%	122,000
JLPVT-40-5KMV- ET	5000k	> 80	5,240	40	131	120-277	0.33	0.17	0.14	> 90%	< 20%	122,000

¹ Color rendering index.

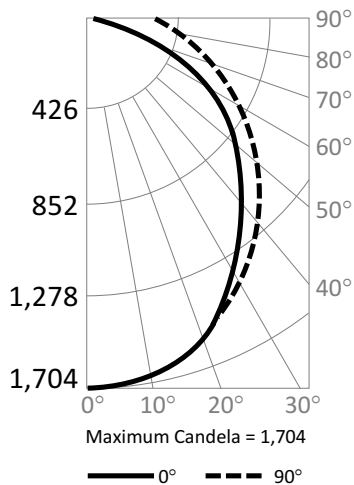
² All 50-60Hz.

³ Total harmonic distortion.

⁴ L₇₀ refers to the number of hours at which lumen output declines to 70% of the initial level. L₇₀ hours are IES TM-21-11 calculated hours.

PHOTOMETRIC DATA

Model: JLPVT-40-5KMV (5,240 lumens)



Candlepower Summary

	0°	90°
0°	1,704	1,704
10°	1,665	1,668
20°	1,550	1,547
30°	1,363	1,387
40°	1,125	1,215
50°	862	1,030
60°	599	845
70°	357	668
80°	144	465
90°	20	283

Zonal Lumen Summary

Zone	Lumens	% Fixture
0° – 10°	172	3.3%
0° – 20°	656	12.5%
0° – 30°	1,373	26.2%
0° – 40°	2,218	42.3%
0° – 50°	3,081	58.8%
0° – 60°	3,867	73.8%
0° – 70°	4,510	86.1%
0° – 80°	4,969	94.8%
0° – 90°	5,240	100%
90° – 180°	0	0%
0° – 180°	5,240	100.0%

Cone of Light

